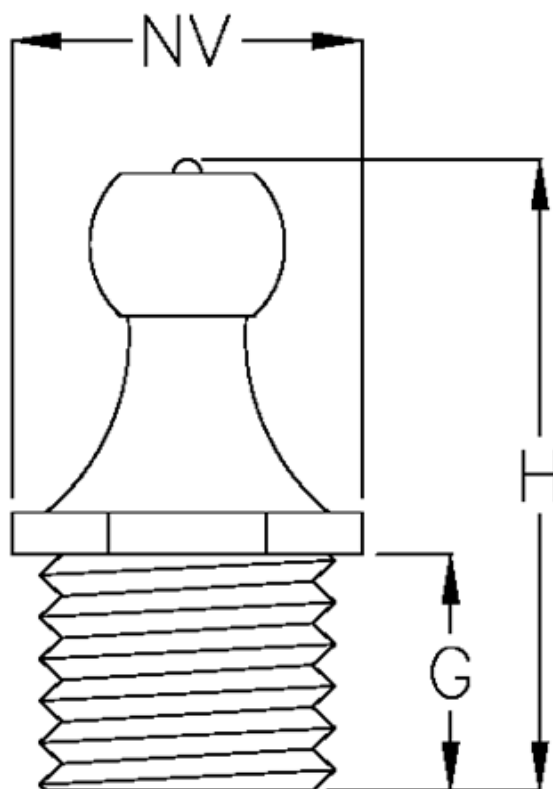


Article number: 53090102

Description: KLEE Hydraulic lubricating nipple DIN 71412
H1 straight, G1/4

Measures



G	= 5,5
H	= 16
NV	= 13,9
Thread	= G1/4